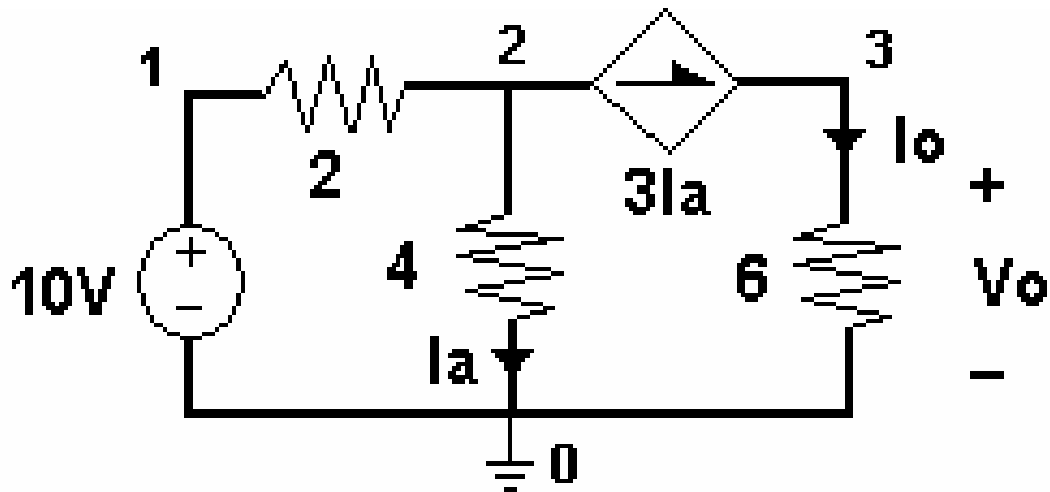


PSPICE EXAMPLE**PSPICE Netlist File for Figure 1:**

```
SRN CIRCUIT 1 Analysis
R1 1 2 2
R2 2 4 4
R3 5 0 6
V1 1 0 10
V2 4 0 0 ; Extra Zero-Volt Source for measuring Ia
V3 3 5 0 ; Extra Zero-Volt Source for measuring Io
F1 2 3 V2 3
.end
```

Circuit as Described above: