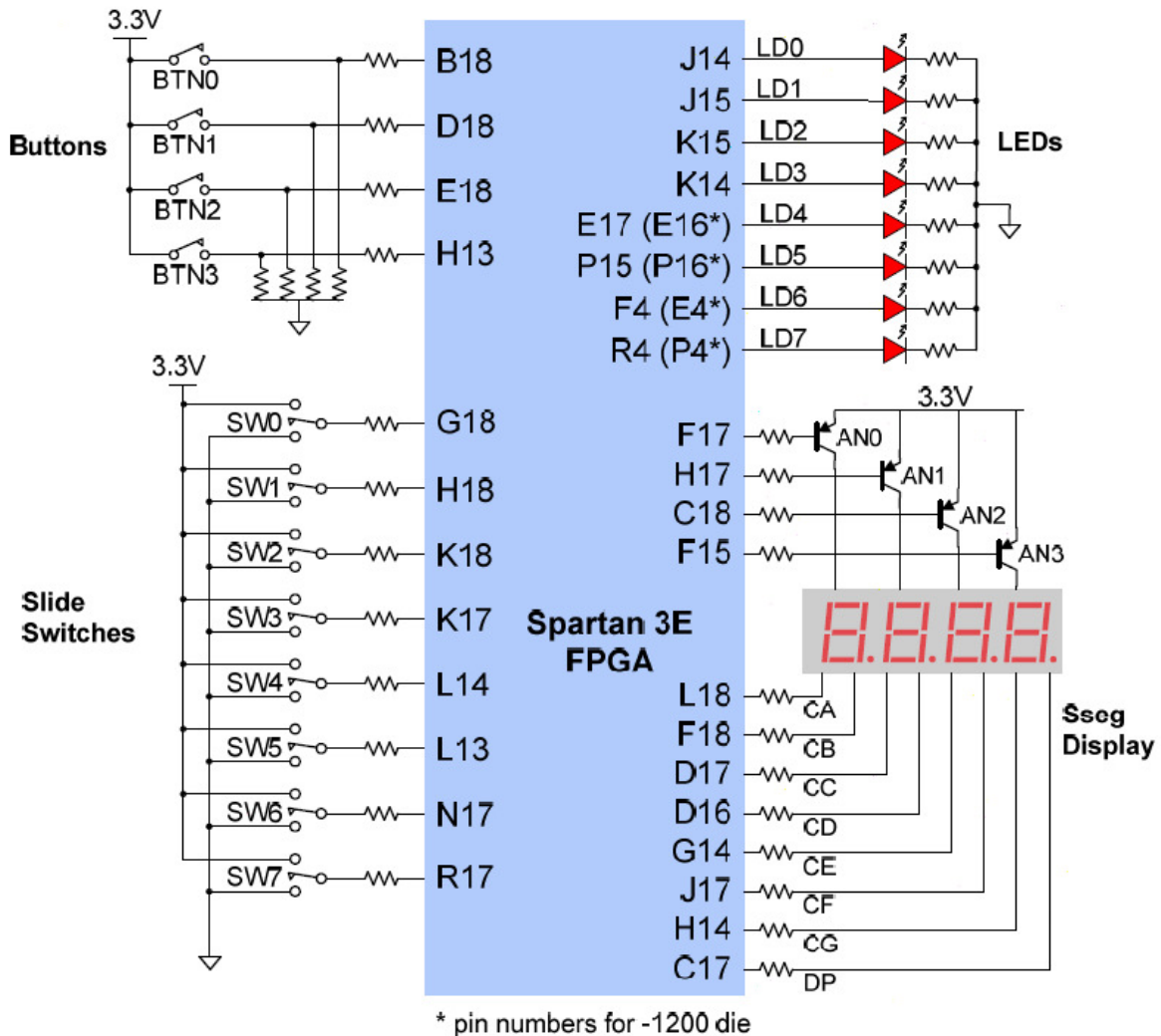


## Nexys2 Board I/O Pin Map



50MHz Clock: B8

### UART I/O Connections

NET "btn" LOC = B18;  
 NET "clk" LOC = B8;  
 NET "reset" LOC = G18;  
 NET "rx" LOC = U6;  
 NET "tx" LOC = P9;

### Hyperterminal Setup

**Baud rate:** 19200  
**Data bits:** 8  
**Parity:** None  
**Stop bits:** 1  
**Flow control:** None